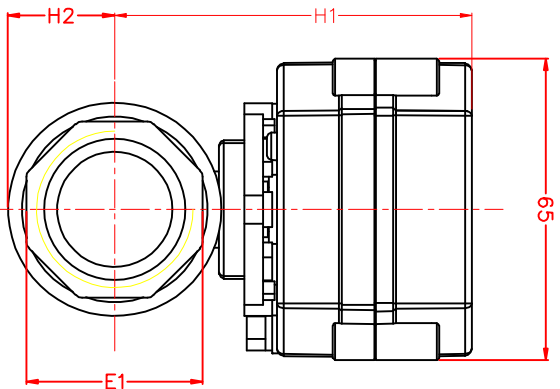
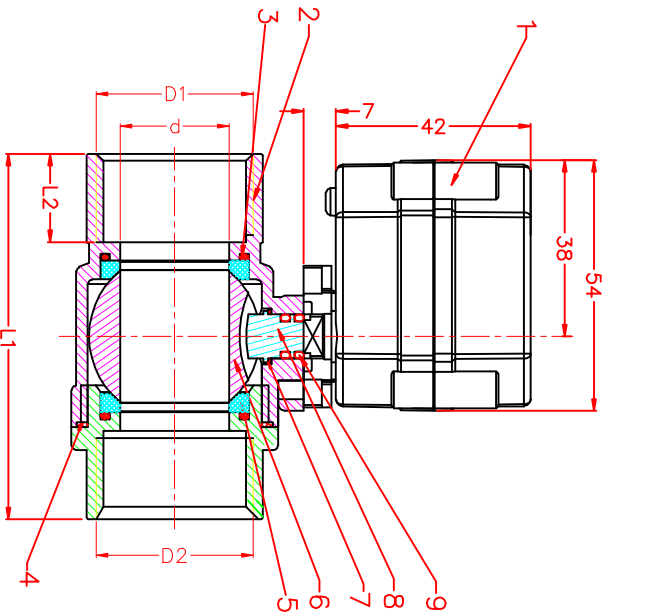


PART CODE :



T25(1") Electric valve	1"	25	81	18	38	82	24
T20(3/4") Electric valve	3/4"	20	72	17	31	74	20
T15(1/2") Electric valve	1/2"	15	63	14	25	70	17
DESCRIPTION	D1/D2	d	L1	L2	E1	H1	H2

9	O-ring	FKM	2
8	Stem	stainless steel	1
7	Gasket	PTFE	1
6	Ball	stainless steel	1
5	Sealing	PTFE	2
4	Sealing	PTFE	1
3	O-ring	FKM	2
2	Body Cover	stainless steel	1
1	Actuator	PP0	1

No.	NAME	Material	Specification	Quantity
MATERIAL QTY/SET				
DRN & DATE				
FINISH				
CHK & DATE				
TREATMENT				
COLOUR				
APPD & DATE				
UNIT				
MM				
SCALE				
Dwg NO./PDD REF NO				
Electric valve				
A20				
TITLE				
MODEL NO				
SHEET NO				
ISSUE				